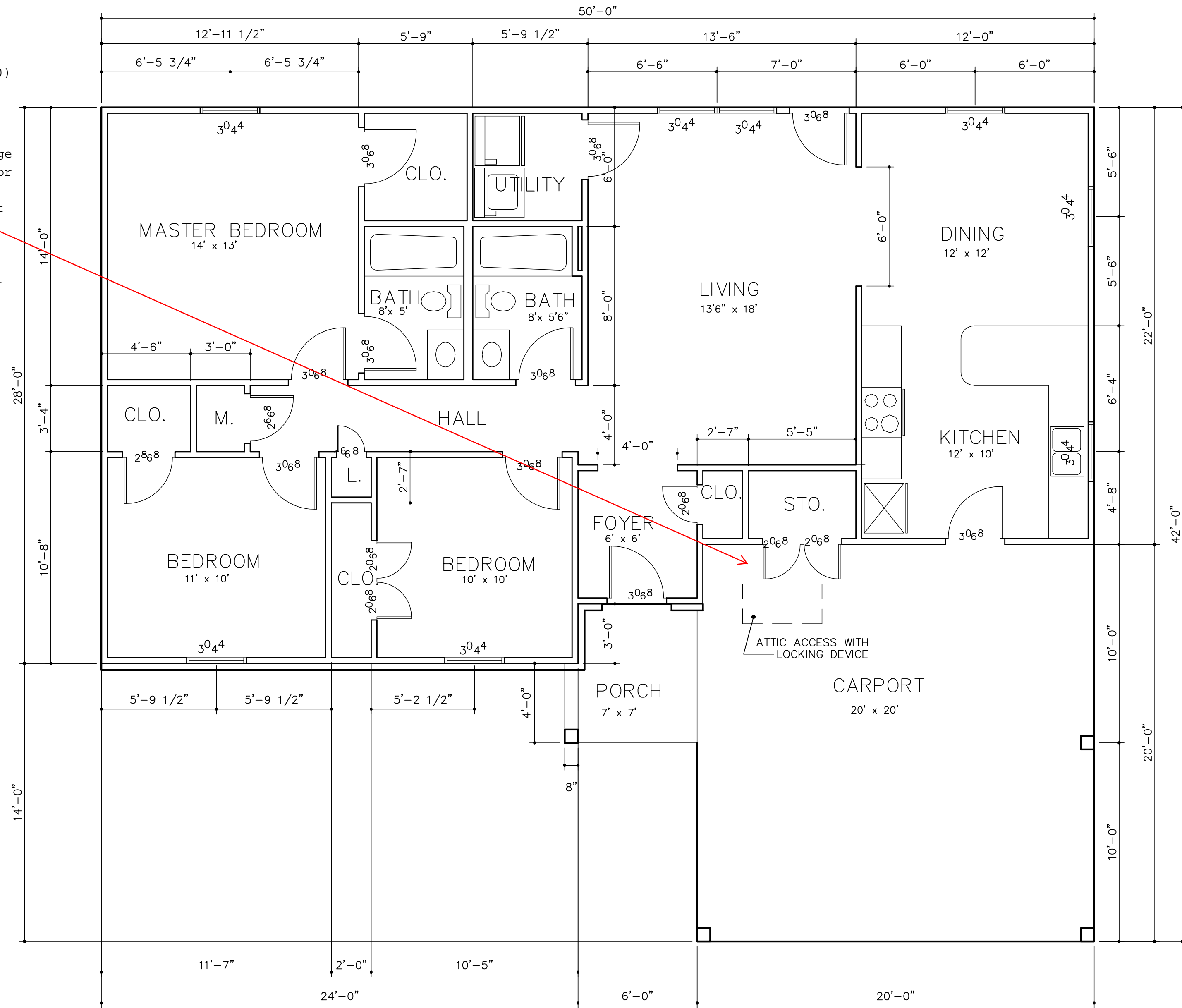


Plan for  
3407 Debra Lane, and  
Trent Road #1 (Lot 10)

Instead of double  
doors entering storage  
at carport, Contractor  
may install a single  
door that is at least  
36 inches wide.



UNIVERSAL DESIGN STANDARDS:

LEVEL 1 (VISITABLE)

INTERIOR DOORS THAT LEAD TO MASTER BEDROOM AND BOTH BATHS MUST BE A MINIMUM OF 2'-10" WIDE WITH A MINIMUM CLEAR OPENING WIDTH OF 32".

VANITY IN BATHS MUST BE REPLACED WITH A WALL HUNG LAVATORY THAT MEETS ADA ACCESSIBILITY STANDARDS WITH A TOP OF LAVATORY MOUNTING HEIGHT OF 34" AND A CLEAR HEIGHT OF KNEE SPACE AT 29". FAUCET SHALL BE ADA APPROVED LEVER HANDLE FAUCETS.

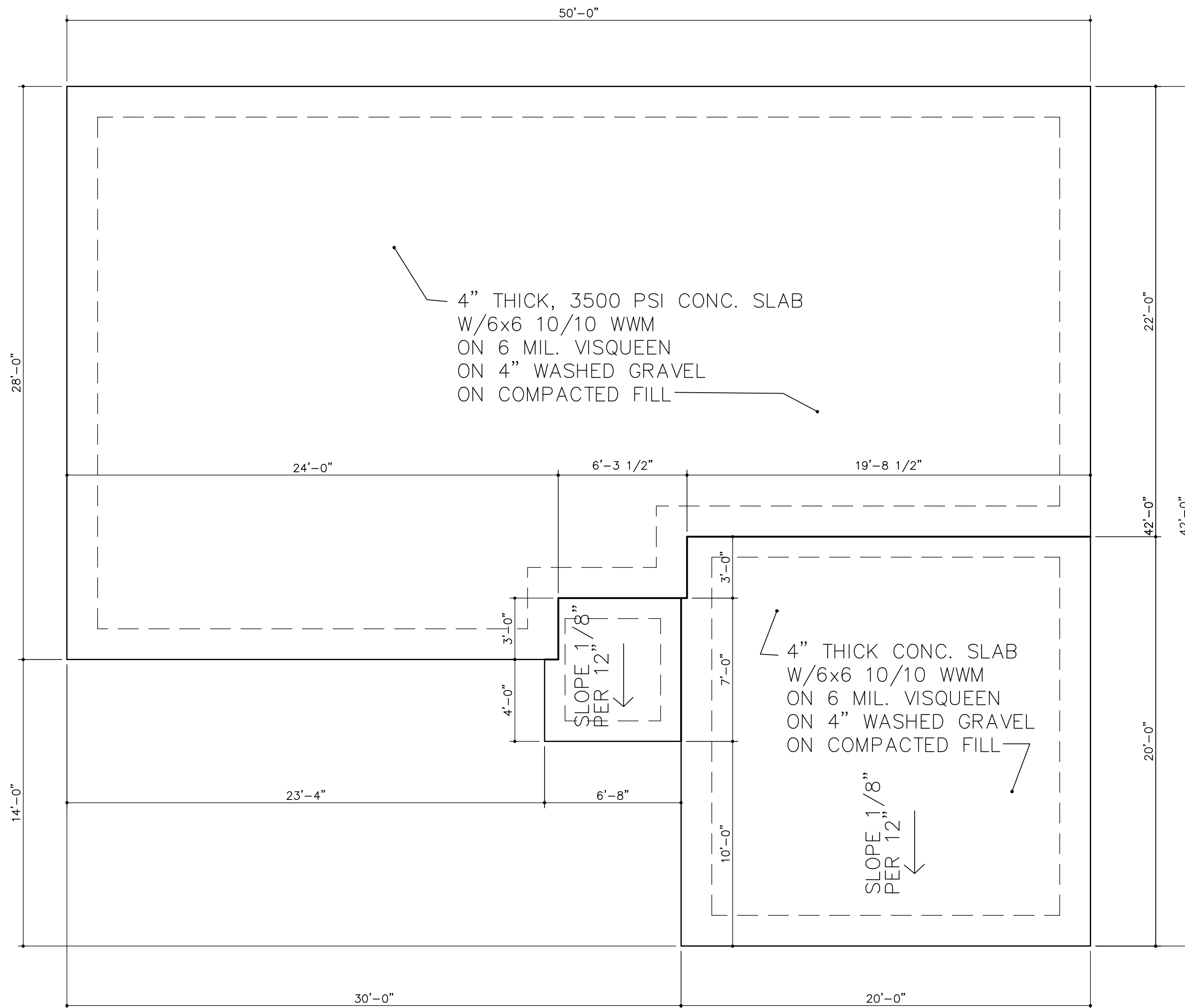
1 BUILDING FLOOR PLAN  
A-1 SCALE: 1/4" = 1'-0"

**TWIN RIVERS ARCHITECTURE, P.A.**  
511 SOUTH SEVENTH ST. ARKADELPHIA, AR 71923  
TEL. 870.246.3500 FAX 870.246.3501 E-MAIL tra@ezclick.net WEBSITE www.twinriversarchitecture.com



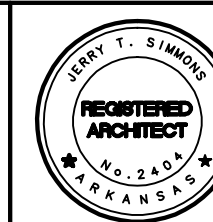
PROJECT HOUSE NUMBER 68 (CARPORT)

REVISION NO. AND DATE	SCALE	DRAWER NUMBER	PROJECT NUMBER	SHEET NUMBER
NOTICE: THE INFORMATION CONTAINED IN THIS DOCUMENT IS PROPRIETARY TO AND NOT TO BE USED WITHOUT THE CONSENT OF TWIN RIVERS ARCHITECTURE, P.A. ARKADELPHIA, ARKANSAS.	AS NOTED	JTS MAO	TRAHousePlans	A-1
		CHECKED BY	DATE	
		JTS	APR 2005	



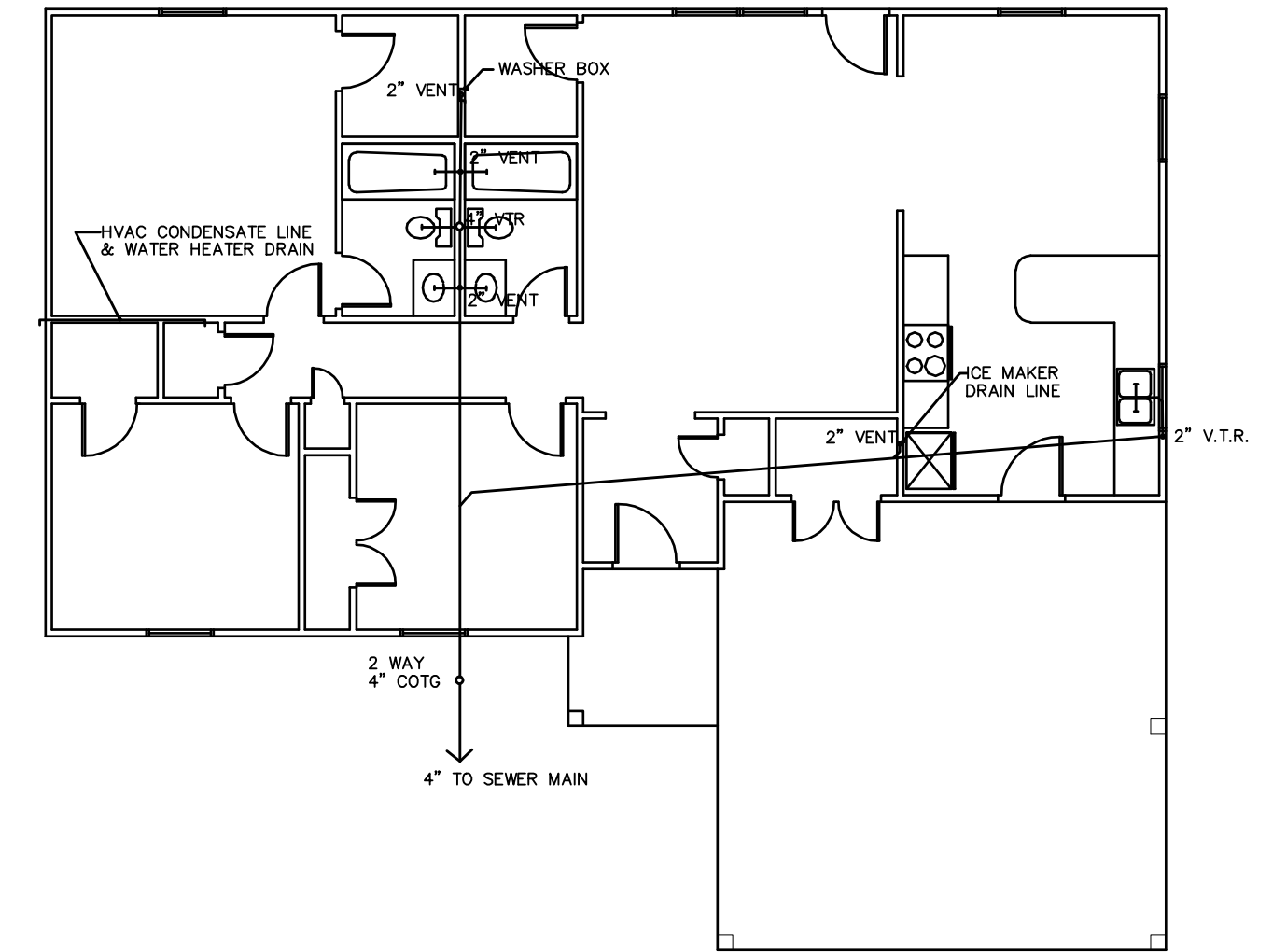
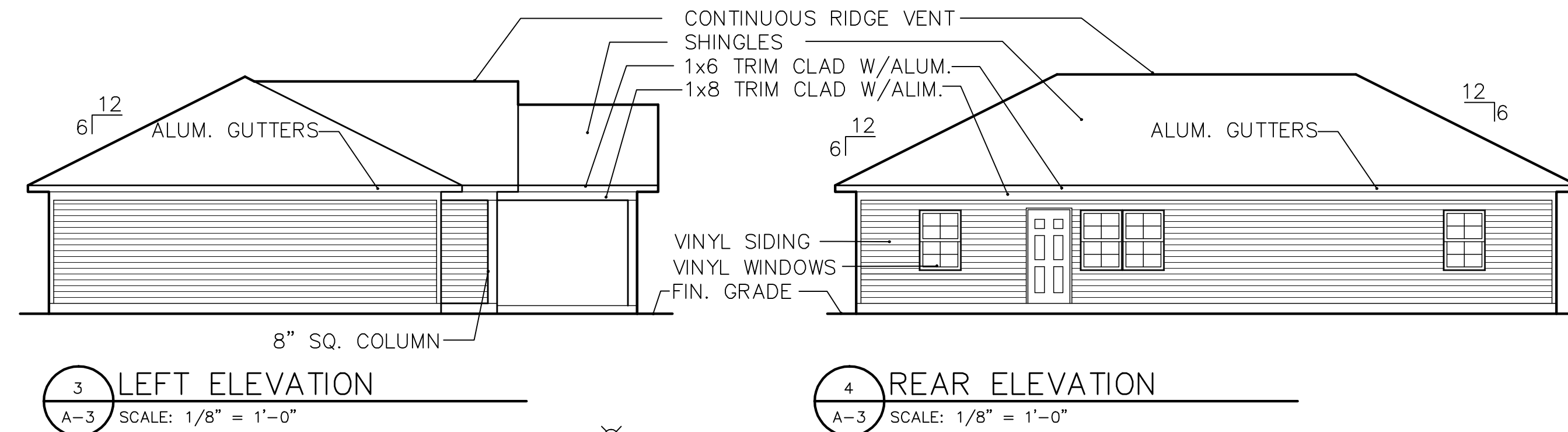
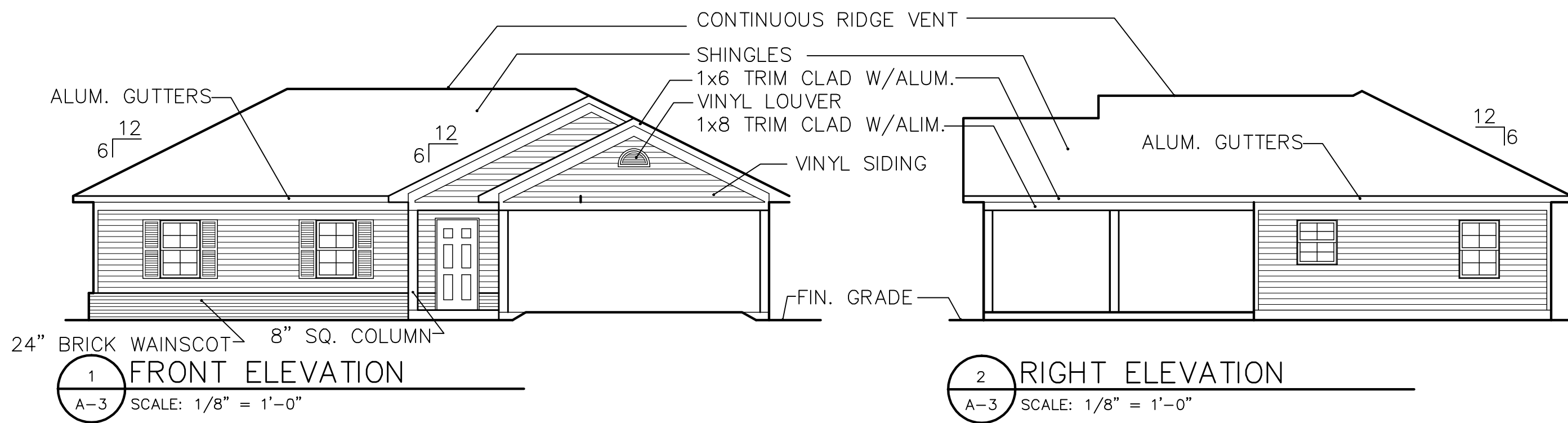
1 BUILDING FOUNDATION PLAN  
A-2 SCALE: 1/4" = 1'-0"

**TWIN RIVERS ARCHITECTURE, P.A.**  
 511 SOUTH SEVENTH ST. ARKADELPHIA, AR 71923  
 TEL. 870.246.3500 FAX 870.246.3501 E-MAIL tra@ezclick.net WEBSITE www.twinriversarchitecture.com



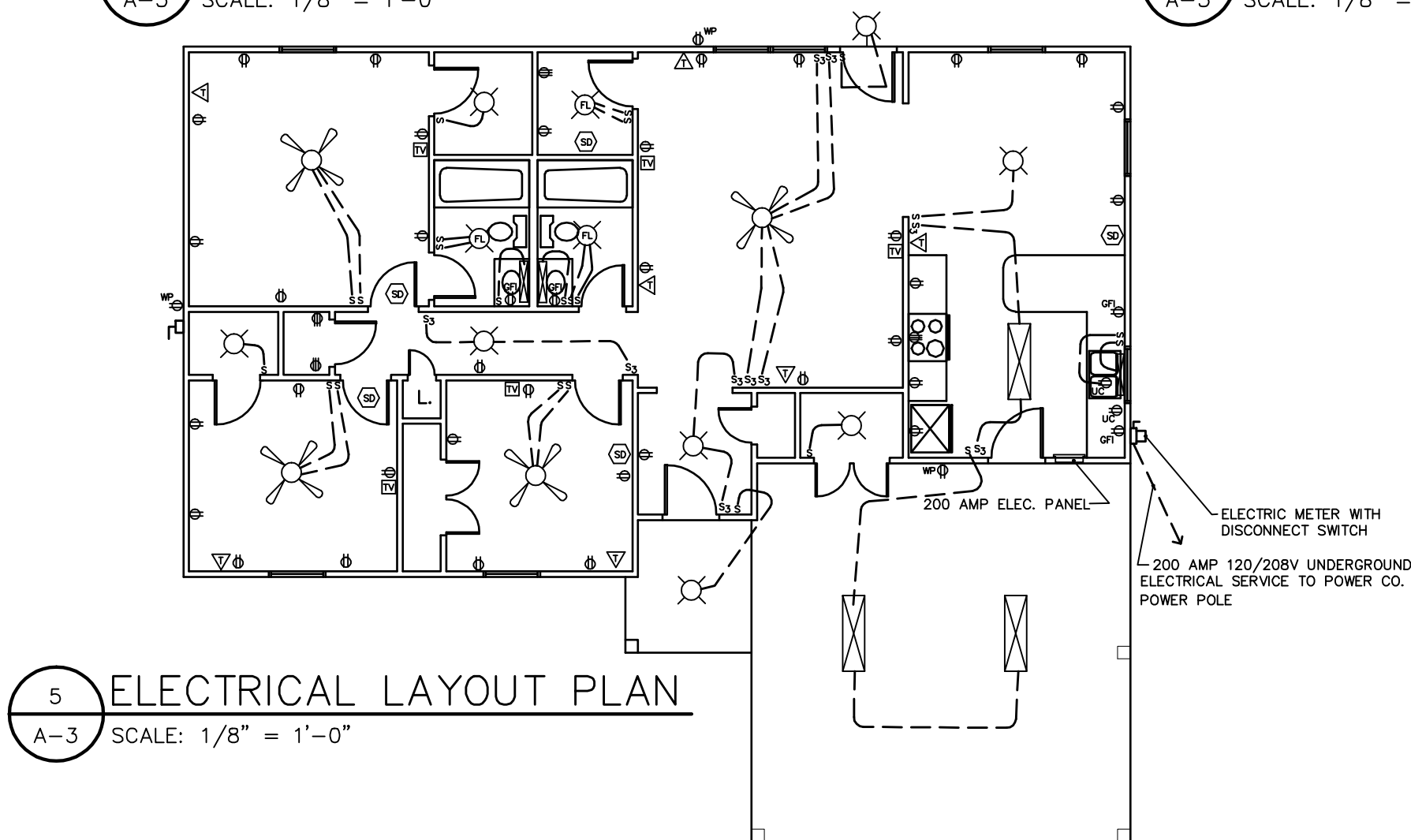
PROJECT HOUSE NUMBER 68 (CARPORT)

REVISION NO. AND DATE	SCALE	DRAWER NUMBER	PROJECT NUMBER	SHEET NUMBER
NOTICE: THE INFORMATION CONTAINED IN THIS DOCUMENT IS PROPRIETARY TO AND NOT TO BE USED WITHOUT THE CONSENT OF TWIN RIVERS ARCHITECTURE, P.A. ARKADELPHIA, ARKANSAS.	AS NOTED	JTS MAO	TRAHousePlans	A-2
		CHECKED BY JTS	DATE APR 2005	



GENERAL PLUMBING NOTES:  
1. ALL PLUMBING WORK SHALL BE IN ACCORDANCE WITH NATIONAL, STATE AND LOCAL PLUMBING CODES.

6 SEWER LAYOUT PLAN  
A-3 SCALE: 1/8" = 1'-0"

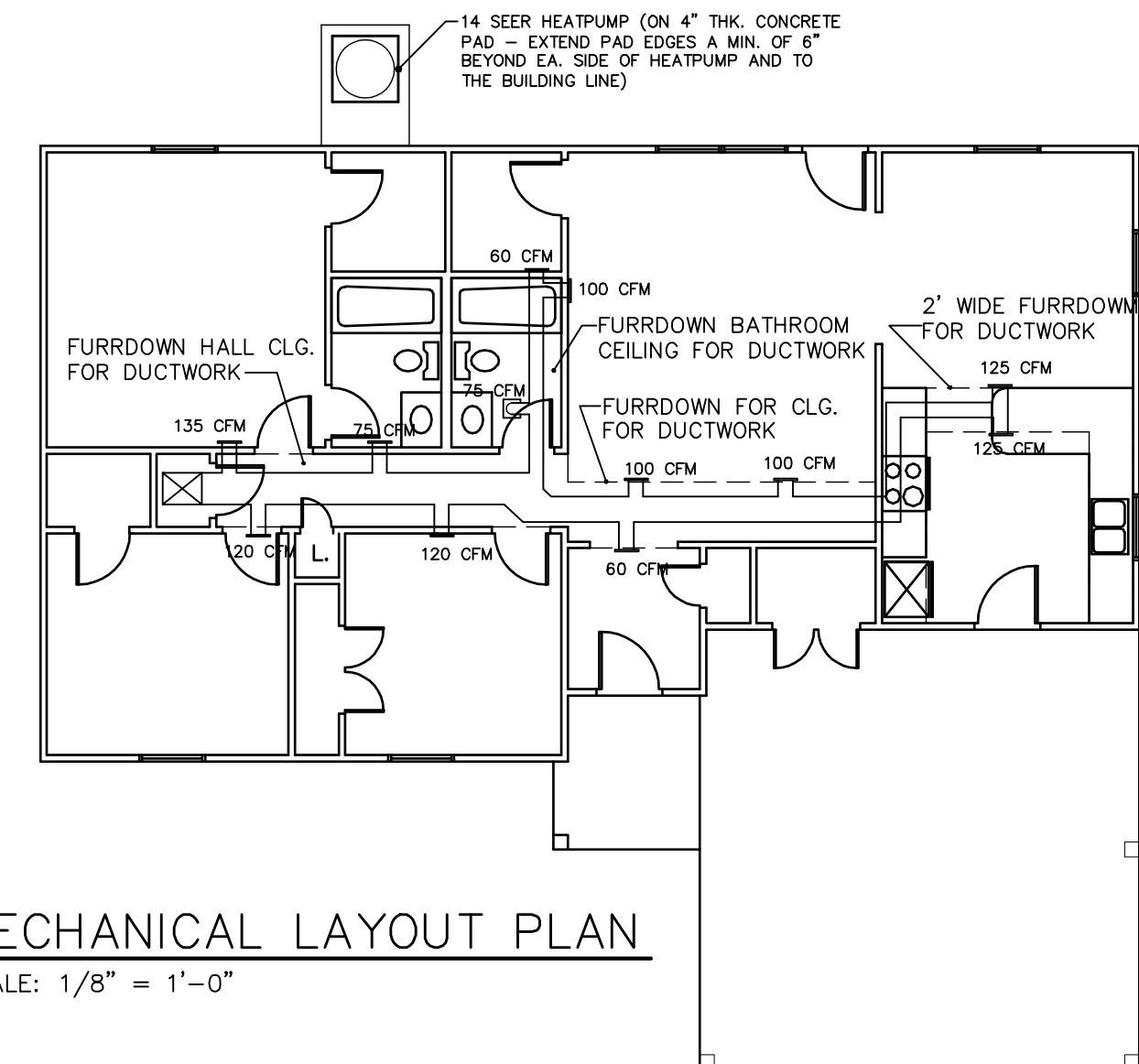


ELECTRICAL SYMBOLS LEGEND

- ⊕ 110V DUPLEX OUTLET
- ⊕ GROUND FAULT 110V DUPLEX OUTLET
- ⊕ WEATHER PROOF GROUND FAULT 110V DUPLEX OUTLET
- ⊕ UNDER COUNTER 110V DUPLEX OUTLET
- ⊕ 220V OUTLET
- ⊕ 220V DISCONNECT FOR AIRCONDITIONING UNIT
- S SINGLE SWITCH
- S<sub>3</sub> 3 WAY SWITCH
- TV TELEVISION CABLE OUTLET
- ☎ TELEPHONE OUTLET
- ⊕ 110V HARD WIRED SMOKE DETECTOR WITH BATTERY BACK-UP
- ⊕ DOOR BELL
- ⊕ FLUORESCENT LIGHT FIXTURE
- ⊕ COMBINATION LIGHT FIXTURE AND CEILING FAN
- ⊕ 2' FLUORESCENT LIGHT FIXTURE
- ⊕ 4' FLUORESCENT LIGHT FIXTURE
- ⊕ 48" CEILING FAN WITH LIGHT KIT

GENERAL ELECTRICAL NOTES:  
1. ALL ELECTRICAL WALL OUTLETS SHALL BE A MINIMUM OF 16" ABOVE FINISHED FLOOR TO CENTERLINE OF OUTLET COVER.  
2. ALL WALL SWITCHES SHALL BE A MAXIMUM OF 48" ABOVE FINISHED FLOOR TO CENTERLINE OF SWITCH COVER.  
3. ALL OUTLETS ABOVE COUNTER TOPS SHALL BE 44" ABOVE FINISHED FLOOR TO CENTERLINE OF OUTLET COVER.  
4. ALL ELECTRICAL WORK SHALL BE IN ACCORDANCE WITH NATIONAL, STATE AND LOCAL ELECTRICAL CODES.

5 ELECTRICAL LAYOUT PLAN  
A-3 SCALE: 1/8" = 1'-0"

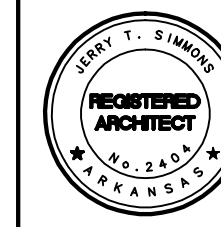


GENERAL MECHANICAL NOTES:  
1. ALL DUCTWORK SHALL BE INSULATED AND SHALL BE RUN IN FURRDOWN AREAS BELOW ATTIC LINE.  
2. MECHANICAL CONTRACTOR SHALL SIZE DUCTWORK AS REQUIRED TO PROVIDE THE MINIMUM C.F.M. SHOWN ON PLAN.  
3. ALL MECHANICAL WORK SHALL BE IN ACCORDANCE WITH NATIONAL STATE AND LOCAL MECHANICAL CODES.

NOTE: DUCTWORK MAY BE INSTALLED IN THE ATTIC IF IT IS INSTALLED IN ACCORDANCE WITH THE ENERGY STAR RATING GUIDELINES.

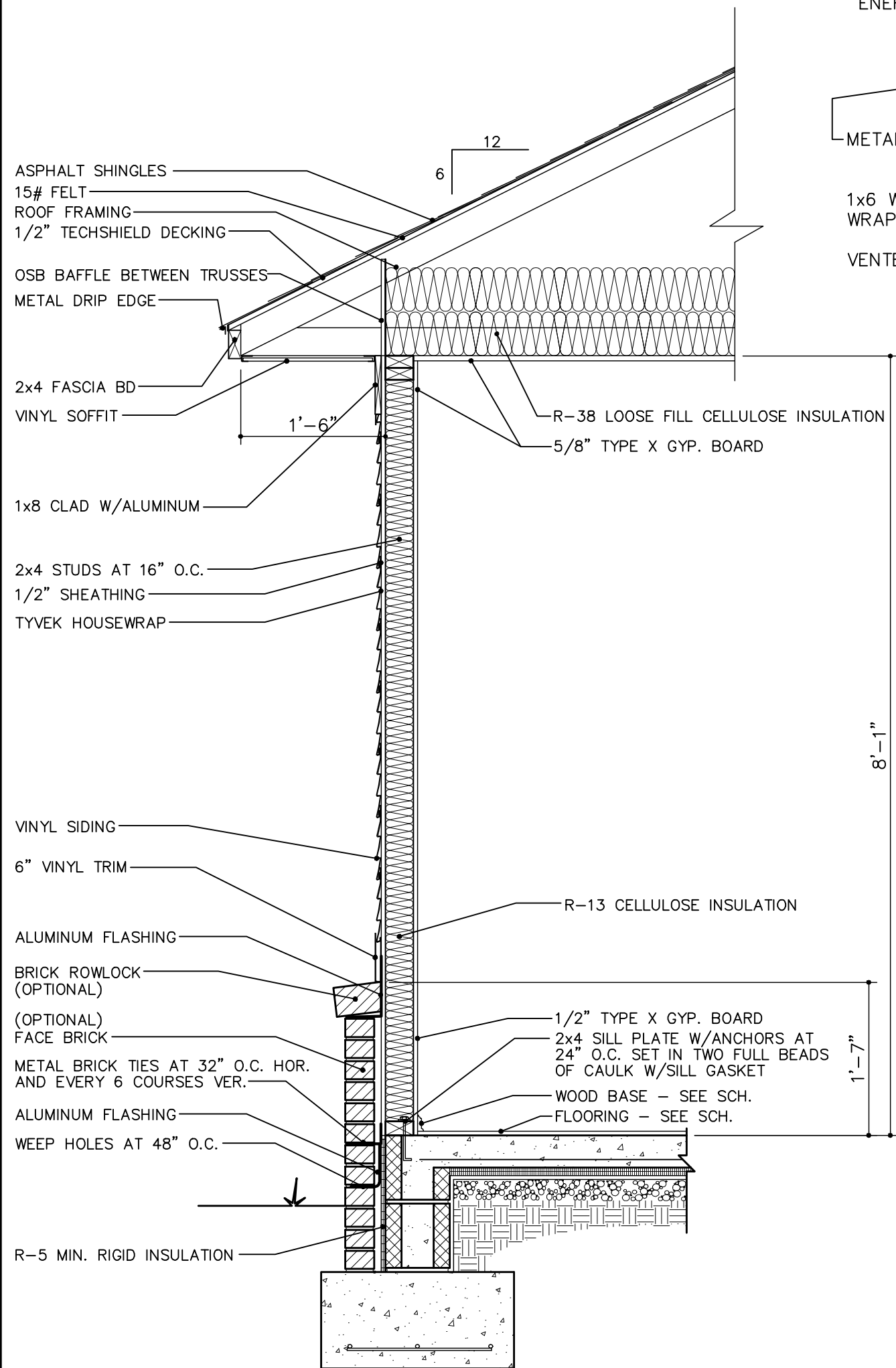
7 MECHANICAL LAYOUT PLAN  
A-3 SCALE: 1/8" = 1'-0"

TWIN RIVERS ARCHITECTURE, P.A.  
511 SOUTH SEVENTH ST. ARKADDELPHIA, AR 71923  
TEL. 870.246.3500 FAX 870.246.3501 E-MAIL tra@ezclick.net WEBSITE www.twinriversarchitecture.com

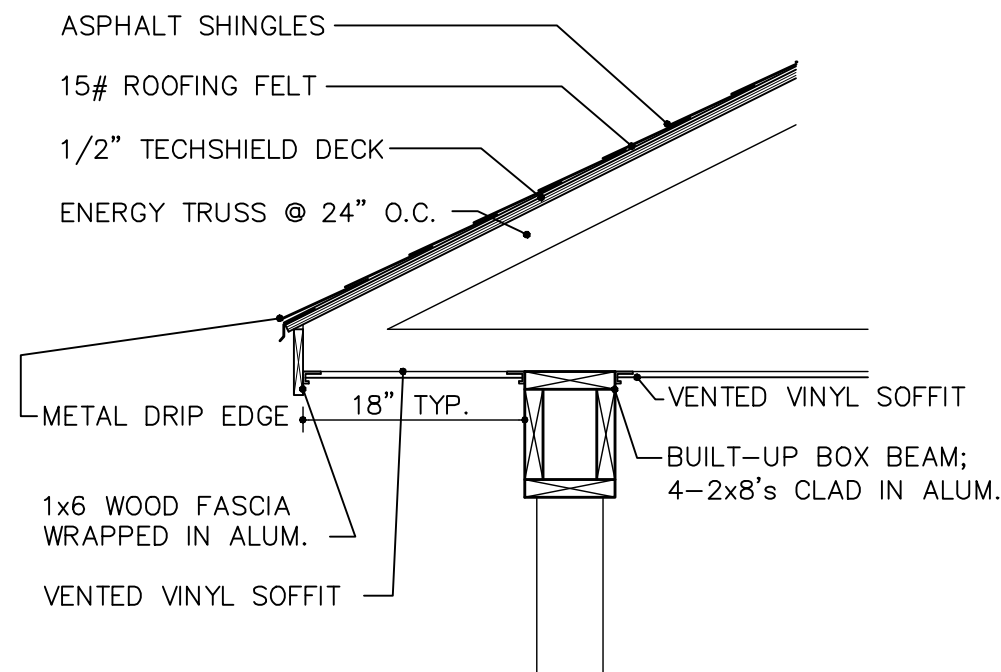


PROJECT HOUSE NUMBER 68 (CARPORT)

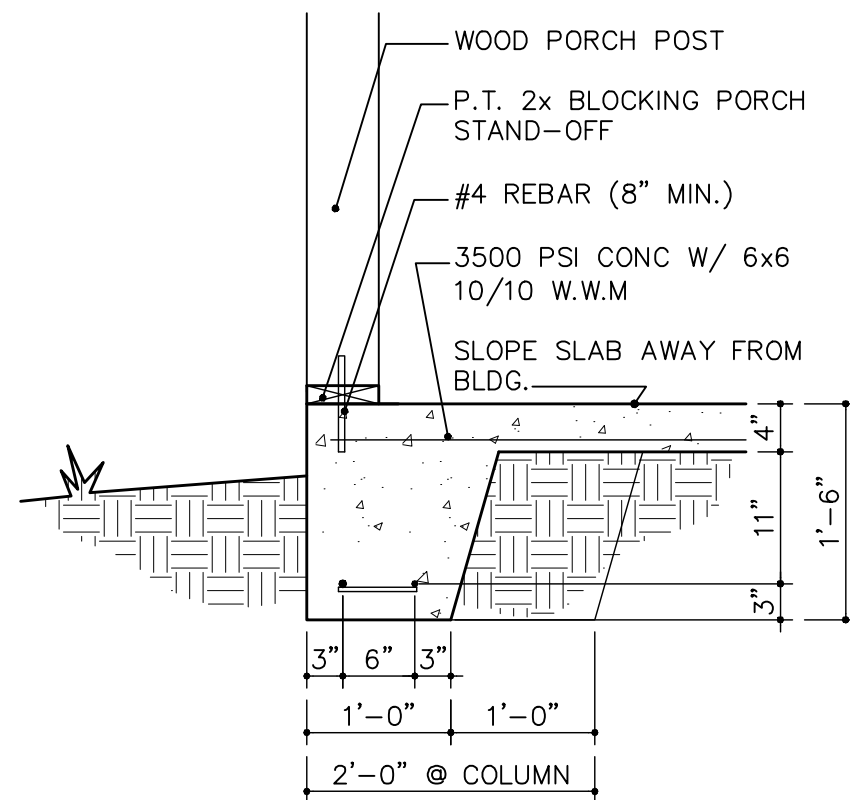
REVISION NO. AND DATE	SCALE	DRAWER NUMBER	PROJECT NUMBER	SHEET NUMBER
NOTICE: THE INFORMATION CONTAINED IN THIS DOCUMENT IS PROPRIETARY TO AND NOT TO BE USED WITHOUT THE CONSENT OF TWIN RIVERS ARCHITECTURE, P.A. ARKADDELPHIA, ARKANSAS.	AS NOTED	JTS MAO	TRAHousePlans	A-3
	DRAWN BY	CHECKED BY	DATE	
	JTS MAO	JTS	APR 2005	



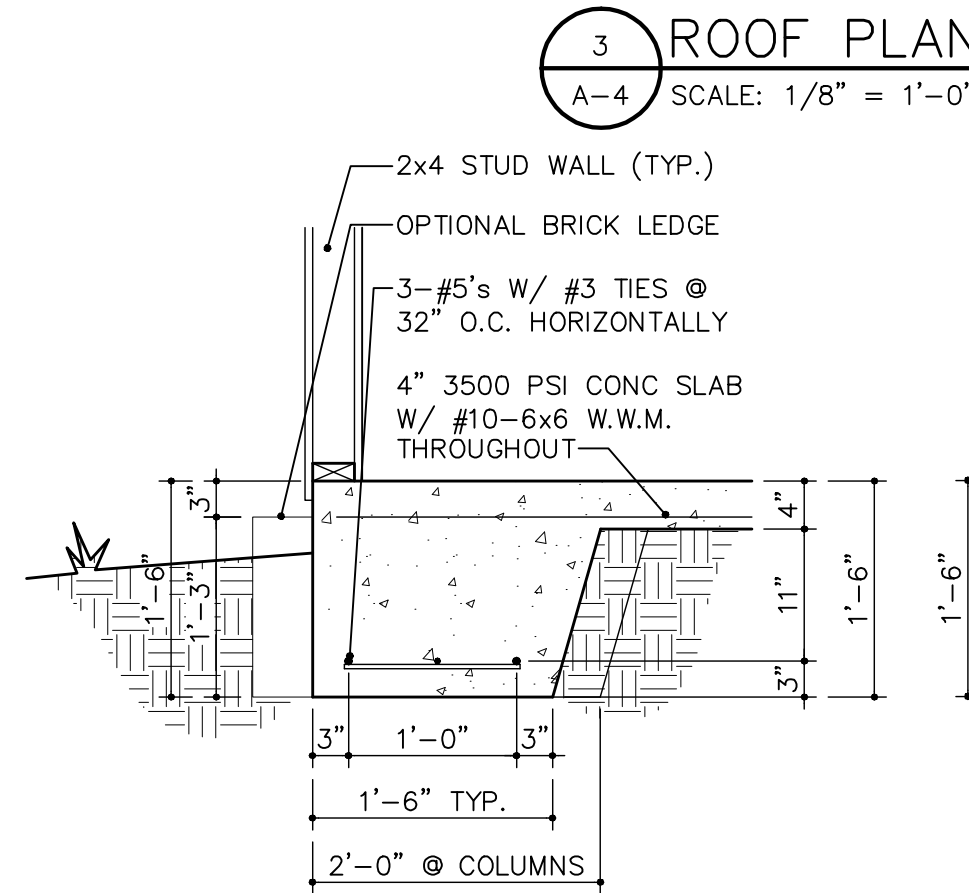
1 TYP. WALL SECTION & FTG. DETAIL  
A-4 SCALE: 3/4" = 1'-0" WS01



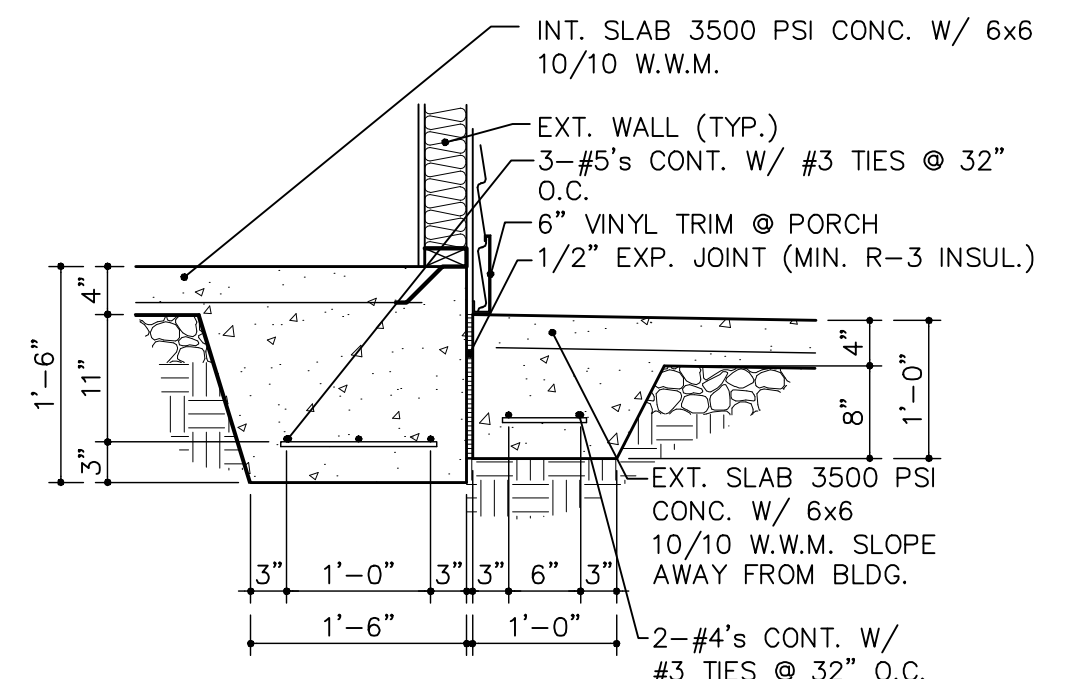
2 BOX BEAM @ PORCH COLUMN  
A-4 SCALE: 3/4" = 1'-0" EWS03



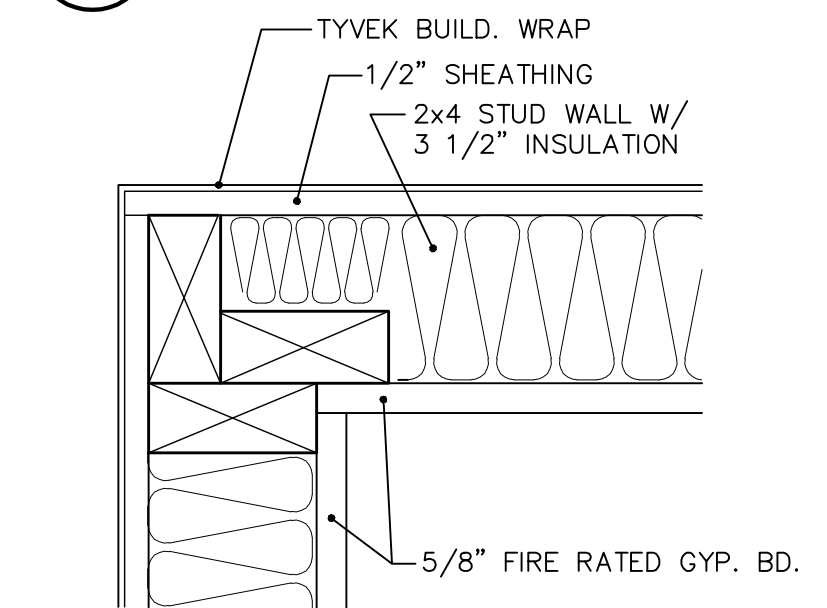
4 FOOTING DTL. @ PORCH COLUMN  
A-4 SCALE: 3/4" = 1'-0" FDTL01



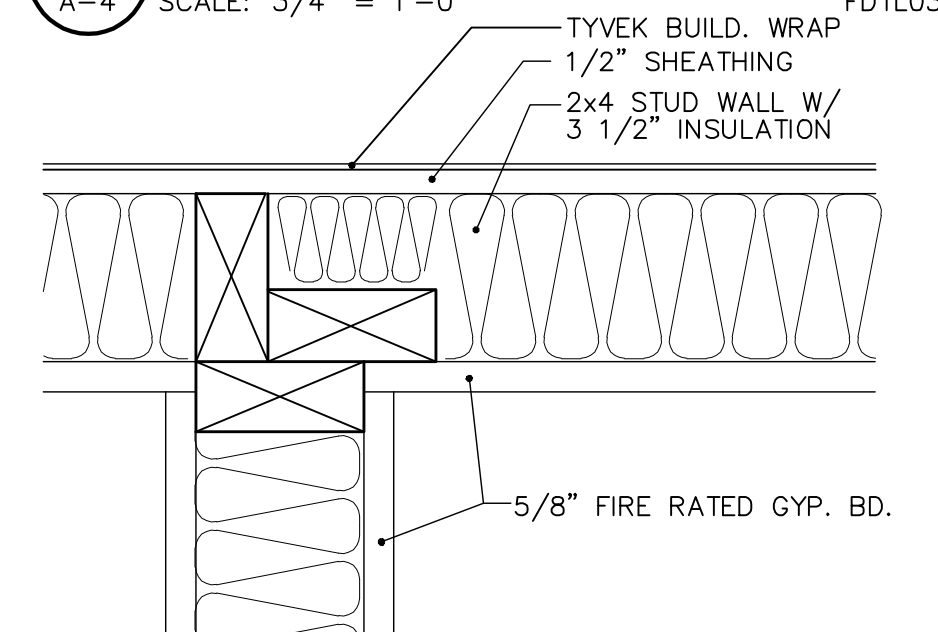
5 OPTIONAL FOOTING DTL.  
A-4 SCALE: 3/4" = 1'-0" FDTL01-OPT



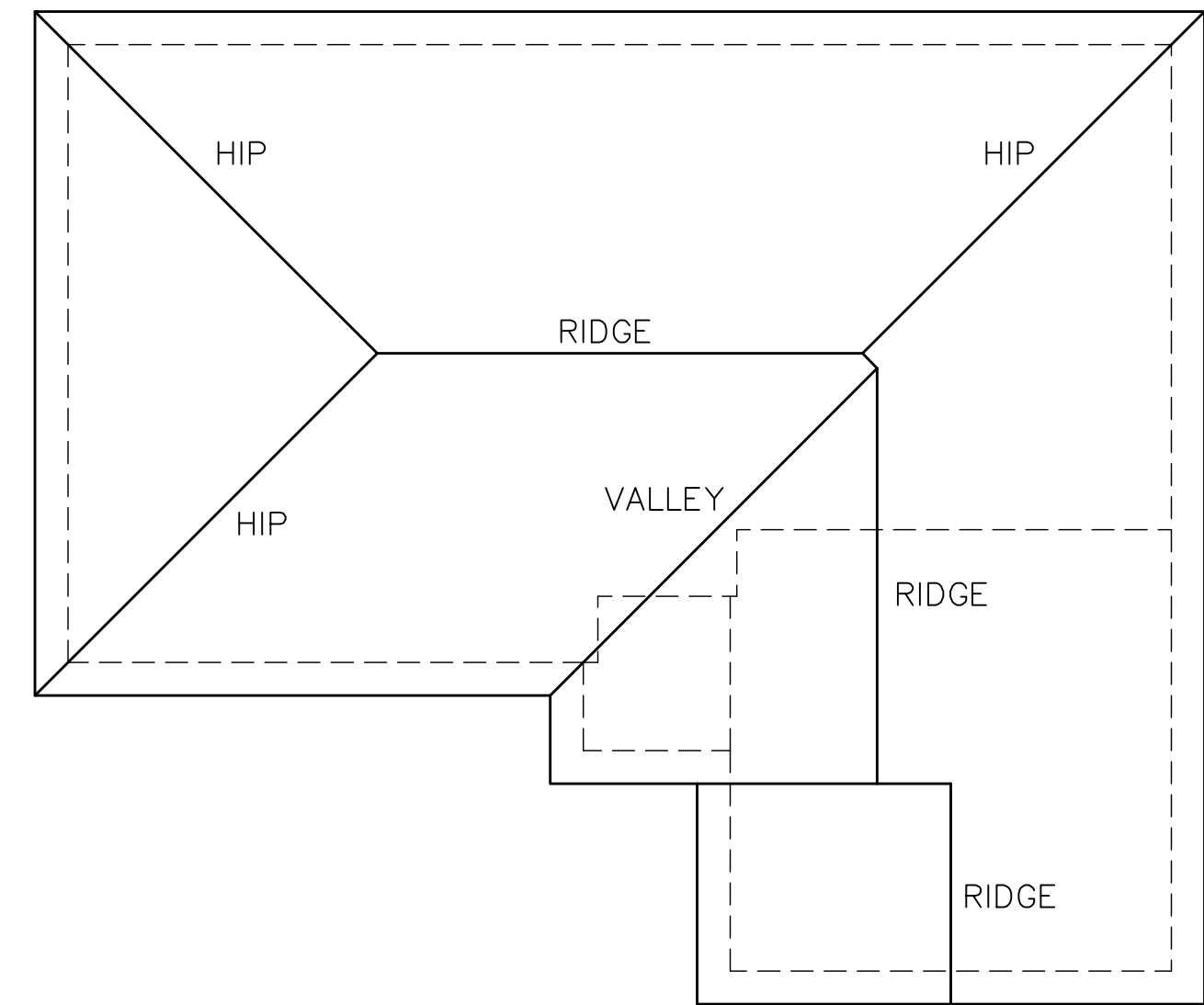
6 TYP. FTG. DTL @ EXT. SLAB  
A-4 SCALE: 3/4" = 1'-0" FDTL03



7 CORNER FRAMING DETAIL  
A-4 SCALE: 3" = 1'-0" MIS-36



8 T FRAMING DETAIL  
A-4 SCALE: 3" = 1'-0" MIS-37



3 ROOF PLAN  
A-4 SCALE: 1/8" = 1'-0"

Proposed Construction

DESCRIPTION OF MATERIALS

Date January 18, 2012 No. (To be inserted by Agency)

Under Construction 1316 Lee Circle 3407 Debra Lane 3409 Debra Lane Trent Road #1 (Lot 10) Trent Road #2 (Lot 11) Property address City Blytheville State Arkansas

Mortgagor or Sponsor Mississippi County, Arkansas Economic 1400 North Division Street, Blytheville, AR (Name) (Address)

Contractor or Builder John Brown Construction-C, Inc. 5540 Page Street, Newport, AR 72112 (Name) (Address)

INSTRUCTIONS

1. For additional information on how this form is to be submitted, number of copies, etc., see the instructions applicable to the FHA Application for Mortgage Insurance, VA Request for Determination of Reasonable Value or other, as the case may be.

2. Describe all materials and equipment to be used, whether or not shown on the drawings, by marking an X in each appropriate check-box and entering the information called for in each space. If space is inadequate enter "See misc," and describe under item 27 or on an attached sheet- THE USE OF PAINT CONTAINING MORE THAN THE PERCENT OF LEAD BY WEIGHT PERMITTED BYLAW IS PROHIBITED.

required, then the minimum acceptable will be assumed. Work exceeding minimum requirements cannot be considered unless specifically described.

4. Include no alternates, "or equal" phrases, or contradictory items. (Consideration of a request for acceptance of substitute materials or equipment is not thereby precluded.)

5. Include signatures required at the end of this form.

6. The construction shall be completed in compliance with the related drawings and specifications, as amended during processing. The specifications include this Description of Materials and the applicable building code.

3. Work not specifically described or shown will not be considered unless

1. EXCAVATION: Dig and place concrete footing at a minimum of 8" below undisturbed soil at lowest elevation. Remove all soft or pumping areas. Bearing soil, type areas. Place compacted (95% Density) fill sand under building slab, but install gravel under building plan if required by plans.

2. FOUNDATIONS: See approved plans Footings: concrete mix ; strength psi 3500 Reinforcing Wire mesh Foundation wall: material Interior foundation wall: material Party foundation wall Columns: material and sizes Piers: material and reinforcing Girders: material and sizes Sills: material Basement entrance areaway Window areaways Waterproofing 6 mil visqueeen Footing drains Termite protection Soil treated by licensed exterminator - 5 year warranty Basementless space: ground cover ; insulation R-5 Rigid Insulat ; foundation vents See approved plans Special foundations Foundations in problem soils must comply with MS Inst. 1924-A, Exhibit E.

Additional information Remove all trees within 20 feet of house, including roots. All exterior sole plates must be set in caulk or inside edge must be caulked. Install block stem wall type foundation with flow-thru "L" slab block - finish height of stem wall shall be a minimum of 16" above finished grade.

3. CHIMNEYS: Material NA Prefabricated (make and size) Flue lining: material Heater flue size Fireplace flue size Vents (material and size): gas or oil heater ; water heater Additional information:

4. FIREPLACES: Type: solid fuel; gas-burning; circulator (make and size) NA Ash dump and clean-out NA Fireplace: Facing ; lining ; hearth ; mantel Additional information:

5. EXTERIOR WALLS: Wood frame: wood grade, and species Stud, Const. Std No.2 Comer bracing. Building paper or felt sheathing Blandex ; thickness 1/2" ; width solid; space O.C.; diagonal; Siding Vinyl+brick. See plans ; grade HUD ; type ; size ; exposure ; fastening Shingles ; grade ; type ; size ; exposure ; fastening Stucco ; thickness ; Lath , weight lb. Masonry veneer Sills Lintels Base flashing Masonry: solid faced stuccoed; total wall thickness 0 ; facing thickness ; facing material Backup material ; thickness ; bonding Door sills Window sills Lintels Base flashing Interior surfaces: dampproofing, Tyvex coats of ; furring Additional information: Comer bracing: 1 x 4 let-in to plates & studs/approved metal strap or 1/2" 4x8 plywood sheets. Brick ties: 22 gauge Install exterior wall studs (2 x 6) 16" O.C. Exterior painting: material Top quality mildew resistant - Sherwin - Williams Brand or equal ; number of coats 2 Gable wall construction: same as main walls; other construction

6. FLOOR FRAMING: Joists: wood, grade, and species ; other ; bridging ; anchors Concrete slab: basement floor; first floor; ground supported; self-supporting; mix ; thickness reinforcing See plans ; insulation perimeter ; membrane Fill under slab: material Fill sand washed gravel, thickness ; Additional information: Foundation in problem soil must comply with MS Inst. 1924-A, Exhibit E.

7. SUBFLOORING: (Describe underflooring for special floors under item 21.) Material: grade and species , size , type Laid: first floor; second floor attic sq. ft; diagonal; right angles. Additional information:

8. FINISH FLOORING: (Wood only. Describe other finish flooring under item 21.)

Table with 8 columns: LOCATION, ROOMS, GRADE, SPECIES, THICKNESS, WIDTH, BLDG. PAPER, FINISH. Rows for First floor, Second floor, Attic floor.

Additional information-

According to the Paperwork Reduction Act of 1995, an agency may not conduct or sponsor, and a person is not required to respond to a collection of information unless it displays a valid OMB control number. The valid OMB control number for this information collection is 0575-0042. The time required to complete this information collection is estimated to average 15 minutes per response, including the time for reviewing instructions, searching, gathering data sources, gathering and maintaining the data needed, and completing and reviewing the collection of information.

**9. PARTITION FRAMING:**

Studs: wood, grade, and species Studs. Const., Std. size and spacing 2" x 4" - 16 OC Other \_\_\_\_\_

Additional information: \_\_\_\_\_

**10. CEILING FRAMING:**

Joists: wood, grade, and species #2 SYP Kiln Dry Other \_\_\_\_\_ Bridging \_\_\_\_\_

Additional information: Size in accordance with joist and rafter tables.

**11. ROOF FRAMING:**

Rafters: wood, grade, and species #2 SYP Kiln Dried Roof trusses (see detail): grade and species FMHA approved.

Additional information: 24" o.c. sized in accordance with joist and rafter tables. Contracto may stick frame.

**12. ROOFING:**

Sheathing: wood, grade, and species 1/2 Techshield decking, OSB baffle between trusses.  solid  spaced \_\_\_\_\_ o.c.

Roofing 25 year asphalt; grade \_\_\_\_\_; size 12 x 36; type Higher of Class C Asphalt or plans

Underlay 30 lb felt; weight or thickness \_\_\_\_\_; size \_\_\_\_\_; fastening \_\_\_\_\_

Built-up roofing \_\_\_\_\_; number of plies \_\_\_\_\_; surface material \_\_\_\_\_

Flashing: material Galvanized metal; gage or weight 22 guage  gravel stops;  snow guards

Additional information: Ply clips on sheathing, 2 x 4 spacers between trusses at ridge. 4 - 7/8" nails per shingle or 5 - 7/8" nails for archit. shingles

**13. GUTTERS AND DOWNSPOUTS:**

Gutters: material Aluminum; gage or weight .32 min.; size 5"; shape \_\_\_\_\_

Downspouts: material Aluminum; gage or weight .32 min.; size 5"; shape \_\_\_\_\_; number \_\_\_\_\_

Downspouts connected to:  Storm sewer;  sanitary sewer;  dry-well.  Splash blocks: material and size \_\_\_\_\_

Additional information: Aluminum Gutters & Downspouts: Aluminum gutter shall be 5", seamless, prefinished aluminum "K" style, min.032

**14. LATH AND PLASTER:**

Walls-1/2", Ceilings - 5/8", Bathroom/Laundry - moisture

Lath  walls,  ceilings: material Gypsum; weight or thickness \_\_\_\_\_ Plaster: coats \_\_\_\_\_; finish \_\_\_\_\_

Dry-wall  walls,  ceilings: material \_\_\_\_\_; thickness \_\_\_\_\_; finish \_\_\_\_\_ Walls - smooth, ceilings large knock down orange peel

Joint treatment Apply orange peel texture to all ceilings and paint (Large knockdown design) tape, float, sand; screw or double nail ceilings

**15. DECORATING: (Paint, wallpaper, etc.)**

ROOMS	WALL FINISH MATERIAL AND APPLICATION	CEILING FINISH MATERIAL AND APPLICATION
Kitchen	Paint/Semi-gloss/Latex-2 coats	Paint/Flat/latex-2 coats/Orange peel texture
Bath	Paint/Semi-gloss/Latex-2 coats	Paint/Flat/latex-2 coats/Orange peel texture
Other	Paint/Semi-gloss/Latex-2 coats	Paint/Flat/latex-2 coats/Orange peel texture

Additional information: Trim, painted, semi-gloss. If stained, 3 coats including sand and sealer. Ceilings - apply large orange peel knockdown texture

**16. INTERIOR DOORS AND TRIM:**

Doors: type Lauan flush hollow core or raised panel masonite (owners' option); material Wood; thickness 1 3/8"

Door trim: type Wedge; material Fir Base: type Wedge; material Fir; size 1" x 3"

Finish: doors Owner's option, paint; trim to match doors

Other trim (item, Type and location) Notwithstanding any provision, doors intended for human passage will be 36" or greater if shown on plans.

Additional information: Paint 2 coats semi-gloss, Natural or stain with polyurethane varnish and one coat of sand and sealer. Paint 2 coats

**17. WINDOWS:**

Windows: type \_\_\_\_\_; make \_\_\_\_\_; material Vinyl; sash thickness 1 3/8"

Glass: grade Low E Insulated  sash weights;  balances, type Rod and Spring; head flashing Visqueen

Trim: type Same as door; material \_\_\_\_\_; Paint \_\_\_\_\_; number coats 3

Weatherstripping: type \_\_\_\_\_; material \_\_\_\_\_; Storm sash, number \_\_\_\_\_

Screens:  full;  half, type Aluminum; number All; screen cloth material Aluminum

Basement windows: type \_\_\_\_\_; material \_\_\_\_\_; screens, number \_\_\_\_\_; Storm sash, number \_\_\_\_\_

Special windows filled. Windows shall have a U-Factor of not greater than .35 and a solar heat gain coefficient of not greater than .30.

Additional information: Caulk around all windows, joints and cracks

**18. ENTRANCES AND EXTERIOR DETAIL:**

Main entrance door: material Insulated metal: HUD MR No.; width 36"; thickness 1 3/4" Frame: material Fir; thickness 1 1/4"

Other entrance doors: material Insulated metal; width See plans; thickness 1 3/4" Frame: material Fir; thickness 1 1/4"

Head flashing 6 mil polyethylene Weatherstripping: type Magnetic; saddles \_\_\_\_\_

Screen doors: thickness \_\_\_\_\_; number \_\_\_\_\_; screen cloth material \_\_\_\_\_ Storm doors: thickness \_\_\_\_\_; number \_\_\_\_\_

Combination storm and screen doors: thickness 1 3/8" number All; screen cloth material Aluminum or vinyl

Shutters:  hinged;  fixed. Railings \_\_\_\_\_; Attic louvers \_\_\_\_\_

Exterior millwork: grade and species Treated white pine or fir Paint Mildew resistant; number coats 2

Additional information: Continuous vents: 8' x 16" soffit vents C. 8" on centers

**19. CABINETS AND INTERIOR DETAIL:**

Kitchen cabinets, wall units: material 3/4" birch or oak plywood; lineal feet of shelves see plans; shelf width 24"

Base units: material 3/4 birch or oak plywood; counter top Formica; edging Formica

Back and end splash 4" formica Finish of cabinets Stain polyurethane; number coats 3

Medicine cabinets: make Full-Length; model \_\_\_\_\_

Other cabinets and built-in furniture \_\_\_\_\_

Additional information: Install sheetrock on ceilings and walls before installing cabinets and furred down areas. Solid

**20. STAIRS:**

STAIR	TREADS		RISERS		STRINGS		HANDRAIL		BALUSTERS	
	Material	Thickness	Material	Thickness	Material	Thickness	Material	Thickness	Material	Thickness
Basement										
Main										
Attic										

Disappearing: make and model number \*Minimum 251/2" x 54"

Additional information: Locate attic access in hallway and install a hasp for lock, or see plans for option

21. SPECIAL FLOORS AND WAINSCOT: (Describe carpet as listed in Certified Products Directory.)

Floors	Location	Material, Color, Border, Sizes, Gage, Etc.	Threshold Material	Wall Base Material	Underfloor Material
	Kitchen	Vinyl			
	Bath	Vinyl			
	Living Rm	Owner's Option			
	Living Rm	Owner's Option			

Wainscot	Location	Material, Color, Border, Sizes, Gage, Etc.	Height	Height Over Tub	Height in Showers (From Floor)
	Bath	One piece fiberglass tub and shower		72"	72"
		Block horizontal and vertical flange, secure			
		8" o.c., install in bed of wet cement. Use 4" of hot tar			

Bathroom accessories:  Recessed; material \_\_\_\_\_; number \_\_\_\_\_;  Attached; material \_\_\_\_\_; number \_\_\_\_\_ See plans  
 Carpet Allowance - \$14.00 per yard installed; Vinyl Allowance - \$14.00 per yard installed.

Additional information: All floor covering must be HUD approved.

22. PLUMBING Also, this section sets out minimums. Contractor to install the maximum shown in this section or what is on building plans building plans or otherwise in the Construction Documents.

Fixture	Number	Location	Make	Mfr's Fixture Identification No.	Size	Color
Sink	1	Kitchen			3"	Stainless
Lavatory	2	Bath		Built in vanity		White
Water closet	2	Bath				White
Bath tub	0	Bath				White
Shower over tub	2	Bath		Fibreglass		White
Stall shower						
Laundry trays						
*Mirror	2					

Other. Water heaters installed in the living area will be set in drain pan plumbed to outside or to the building drain. Contractor to connect plumbing and all utilities and pay tap fees, all of which are in the contract price.

A  Curtain rod A  Door  Shower pan: material \_\_\_\_\_  
 Water supply:  public;  community system;  individual (private) system.\*  
 Sewage disposal  public;  community system;  individual (private) system.\*  
 \*Show and describe individual system in complete detail in separate drawings and specifications according to requirements.  
 House drain (inside):  cast iron;  tile;  other 4" Main \_\_\_\_\_ House sewer (outside):  cast iron;  tile;  other \_\_\_\_\_  
 Water piping:  galvanized steel;  copper tubing;  other Pex \_\_\_\_\_ Still cocks, number 2-freeze proof  
 Domestic water heater: type \_\_\_\_\_; make and model \_\_\_\_\_; heating capacity 40  
 \_\_\_\_\_ gph. 100' rise. Storage tank: material glass lined \_\_\_\_\_; capacity \_\_\_\_\_ gallons.  
 Gas service:  utility company;  liq. pet. gas;  other \_\_\_\_\_ Gas piping:  cooking;  house heating.  
 Footing drains connected to  storm sewer;  sanitary sewer;  dry well. Sump pump; make and model \_\_\_\_\_  
 \_\_\_\_\_; capacity \_\_\_\_\_; discharges into \_\_\_\_\_

23. HEATING

Hot water.  Steam.  Vapor.  One-pipe system.  Two-pipe system.  
 Radiators.  Convectors.  Baseboard radiation. Make and model \_\_\_\_\_  
 Radiant panel:  floor;  wall;  ceiling. Panel coil: material \_\_\_\_\_  
 Circulator.  Return pump. Make and model \_\_\_\_\_; capacity \_\_\_\_\_ gpm.  
 Boiler: make and model \_\_\_\_\_ Output \_\_\_\_\_ Btuh.; net rating \_\_\_\_\_ Btuh.  
 Additional information: Insulated metal plenum required on furnace.  
 Warm air:  Gravity.  Forced. Type of system Owner to choose electric or heat pump.  
 Duct material: supply See plans return See plans Insulation See plans; thickness See p  Outside air intake.  
 Furnace: make and model GOODMAN BRAND NOT ALLOWED Input \_\_\_\_\_ Btuh.; output \_\_\_\_\_ Btuh.  
 Additional information: Duct insulation maximum of R-6 or on plans or ADFA standard. May be installed in attic.  
 Space heater;  floor furnace;  wall heater. Input \_\_\_\_\_ Btuh.; output \_\_\_\_\_ Btuh.; number units \_\_\_\_\_  
 Make, model GOODMAN BRAND NOT ALLOWED Additional information: 14 SEER MINIMUM. Size per Manual J  
 Controls: make and types \_\_\_\_\_  
 Additional information: Install exterior A/C compressor on concrete pad larger than unit (Approximately 8" larger on all four sides.)  
 Fuel:  Coal;  oil;  gas;  liq. pet. gas;  electric;  other \_\_\_\_\_; storage capacity \_\_\_\_\_  
 Additional information: Furnace closet must be sealed with gypsum, taped and floated.  
 Firing equipment furnished separately:  Gas burner, conversion type.  Stoker: hopper feed  bin feed   
 Oil burner:  pressure atomizing;  vaporizing \_\_\_\_\_  
 Make and model \_\_\_\_\_ Control \_\_\_\_\_  
 Additional information: \_\_\_\_\_  
 Electric heating system: type \_\_\_\_\_ Input \_\_\_\_\_ watts; @ \_\_\_\_\_ volts; output \_\_\_\_\_ Btuh.  
 Additional information: \_\_\_\_\_  
 Ventilating equipment: attic fan, make and model \_\_\_\_\_, capacity \_\_\_\_\_ cfm.  
 Kitchen exhaust fan, make and model 30" vented range hood  
 Other heating, ventilating, or cooling equipment All kitchen and bathroom vent fans must be vented to the exterior.

24. ELECTRIC WIRING:

Service:  overhead;  underground. Panel:  fuse box;  circuit-breaker; make \_\_\_\_\_ AMP's 200 No. circuits See plans  
 Wiring:  conduit;  armored cable;  nonmetallic cable;  knob and tube;  other 12-2 copper with ground, but no less than plans  
 Special outlets:  range;  water heater;  other Minimum #6 to range  
 Doorbell.  Chimes. Push-button locations Front door Additional information: HVAC unit, electrical disconnect installed.  
 Carbon monoxide detectors

25. LIGHTING FIXTURES:

Total number of fixtures See plans Total allowance for fixtures, typical installations, \$ 500.00  
 Nontypical installation Smoke detector must be connected to household current  
 Additional information: Minimum wiring 12-2 with gr

26. **INSULATION:**

Location	Thickness	Material, Type, and Method of Installation	Vapor Barrier
Roof			
Ceiling	R-38	Blown cellulose	
Wall	R-13 min	Blown cellulose. R-13 is minimum. Contractor to satisfy State Energy	
Floor			

Contractor responsible for securing HERS rating of 70 or below within Contract Price. Description of materials, State Energy Code and plans show minimum addition requirements including foundation insulation.

27. **MISCELLANEOUS:** (Describe any main dwelling materials, equipment, or construction items not shown elsewhere; or use to provide additional information where the space provided was inadequate. Always reference by item number to correspond to numbering used on this form.)

- See the contract for other alternates at Addendum 1.
  - (1) Provide a cat walk above insulation when equipment is installed in attic
  - Alternate elected by Owner: "Faucet shall be ADA approved lever handle faucets."
  - Contract must build house to conform to Arkansas Usability Standards in Housing (AUSH) Level I requirements, which is available at <http://www.studioaid.org>. Install minimal of what is shown in plans or Level 1. Owner has selected certain alternates in Addendum 1 which may affect this requirement.
  - Alternate: Vanity in baths must be replaced with a wall hung lavatory that meets ADA accessibility standards with a top of the lavatory mounting height of 34" and a clear height of knee space at 29.
  - Provide 36" overhang at all exterior doors. Glass sliding patio doors and patios are not acceptable. GFCI outlets required for bathrooms, exterior and within 6' of kitchen sink, but no less than code or plans. Insulate water lines above slab.
- HARDWARE:** (make, material, and finish.)
- All exterior doors will be keyed the same. Both doors should be 36". Kwikset Brass.

**SPECIAL EQUIPMENT:** (State material or make, model and quantity. Include only equipment and appliances which are acceptable by local law, custom and applicable FHA standards. Do not include items which, by established custom, are supplied by occupant and removed when he vacates premises or chattels prohibited by law from becoming realty.)

- Minimum 30" range
- Prewire house for telephone outlets in kitchen/living room and master bedroom
- Smoke detectors must be UL approved and be connected into a direct 120 volt circuit. Locate in hallway, kitchen, and all bedrooms.
- \$400.00 Cook Stove Allowance (Color to match); \$300.00 Dishwasher Allowance (Color to match); \$600.00 Refridgerator Allowance (Color to match); \$250.00 shrubs allowance

**PORCHES:**

- On plan entitled "Project House Number 64 (1 Carport-L) build 10' x 10' concrete patio at extending from right edge of back door towards carport area. Specifications shown on foundation plan of building plan.
- Build concrete landing at each door.

**TERRACES:**

**GARAGES:**

- On plan entitled "Project House Number 64 (1 Carport-L) build carport so that it is at minimum 12 feet wide, and enlarge storage and utility area to fit.

**WALKS AND DRIVEWAYS:** Maximum as shown below, on plans or ADFA usability standard. Entryway minimum 5' x 5.5'

Driveway: width 12.5"; base material Gravel; thickness 4"; surfacing material Concrete; thickness 4"

Front walk: width 5 feet; material Concrete; thickness 4"; Service walk: width \_\_\_\_\_; material \_\_\_\_\_; thickness \_\_\_\_\_

Steps: material Concrete; treads 2"; risers 2"; Check walls Steps may not be required

Length of driveway will extend to street. All driveways shall have a minimum of 4 ft. flare where street intersects.

**OTHER ONSITE IMPROVEMENTS:** At property addresss 1316 Lee Circle, build sidewalk across frontage of house. (Specify all exterior onsite improvements not described elsewhere, including items such as unusual grading, drainage structures, retaining walls, fence, railings, and accessory structures.)

- Install culverts and finish at each Property Adresse on Trent Road
- All steps and landings must satisfy ADFA useability requirements for slope, with and grade for accessibility. See AUSH.

**LANDSCAPING, PLANTING, AND FINISH GRADING:**

Topsoil 4" thick:  front yard;  side yards;  rear yard to 30 feet behind main building.

Lawns (seeded, sodded, sprigged):  front yard;  side yards;  rear yard

Planting:  as specified and shown on drawings;  as follows:

_____ Shade trees, deciduous. _____ caliper.	_____ Evergreen trees _____, to _____', B & B.
_____ Low flowering trees, deciduous. _____, to _____'	_____ Evergreen shrubs _____ to _____', B & B.
_____ High-growing shrubs, deciduous. _____, to _____'	_____ Vines, 2-years
4 _____ Medium-growing shrubs, deciduous, 2 gal., to _____'	
10 _____ Low-growing shrubs, deciduous. 2 gal., to _____'	

**IDENTIFICATION.** This exhibit shall be identified by the signature of the builder, or sponsor, and/or the proposed mortgagor if the latter is known at the time of application.

Date \_\_\_\_\_ Signature \_\_\_\_\_  
Signature \_\_\_\_\_